



# T&S Ball Valves

High Technology Valve & Fitting Series





## ***120H Series One Piece Type***

### **Features**

- Pressure range up to 2000psi(138Bar)
- Temperature from 50°F to 150°F (10°C to 65°C)
- Simple Design with one piece body
- Tight and Smooth, Low torque and Easy operation
- Each and Every Valves are Tested at the Factory.
- 316 Stainless steel body materials

## SBV 120H Series

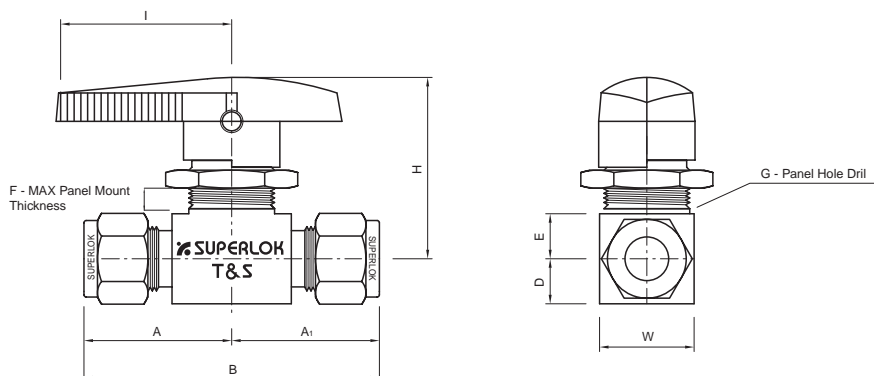


Table of Dimensions

Order Number		Orifice (mm)	Cv	End Connection		Dimensions (mm)									
Series	Part No.			Inlet	Outlet	A	A <sub>1</sub>	B	D	E	F	G	H	I	W
SBV 120 H1	F 2N	3.2	0.5	1/8 Female NPT		20.6	20.6	41.2	7.1	8.7	6.4	15.0	36.0	29.0	15.0
	S 6M		0.6	6mm SUPERLOK		27.7	27.7	55.4							
	S 4		0.6	1/4 SUPERLOK											
SBV 120 H2	F 2N	4.8	1.2	1/8 Female NPT		25.4	25.4	50.8	9.4	11.2	4.8	19.8	43.7	38.5	19.8
	F 4N		0.9	1/4 Female NPT		26.2	26.2	52.4							
	F 4R		0.9	1/4 ISO Female											
	M 4N		1.2	1/4 Male NPT		25.4	25.4	50.8							
	MS 4N-4		1.6	1/4 Male NPT	1/4 SUPERLOK	25.4	30.2	55.6							
	S 6M		2.4	6mm SUPERLOK		30.2	30.2	60.4							
	S 4		2.4	1/4 SUPERLOK											
	S 8M		1.5	8mm SUPERLOK		31.0	31.0	62.0							
S 6	1.5	3/8 SUPERLOK		32.5	32.5	65.0									
SBV 120 H3	F 4N	7.1	3.0	1/4 Female NPT		31.8	31.8	63.6	14.2	14.2	9.4	28.5	56.1	51.0	28.5
	F 6N		2.6	3/8 Female NPT											
	F 6R		2.6	3/8 ISO Female											
	S 6		6.0	3/8 SUPERLOK		38.9	38.9	77.8							
	S 10M		6.0	10mm SUPERLOK											
SBV 120 H4	F 8N	10.3	6.3	1/2 Female NPT		39.6	39.6	79.2	17.5	17.5	9.4	38.1	71.8	75.0	38.1
	F 8R		6.3	1/2 ISO Female											
	S 12M		12.0	12mm SUPERLOK		50.0	50.0	100							
	S 8		12.0	1/2 SUPERLOK											
	S 12		6.4	3/4 SUPERLOK											

Dimensions shown with SUPERLOK nuts measure in the finger-tight, where applicable.  
All dimensions are for reference only, subject to change.



## ***120D Series One Piece Type***

### **Features**

- Pressure range up to 2000psi(138Bar)
- Temperature from 50°F to 150°F(10°C to 65°C)
- Simple Design with one piece body
- Tight and Smooth, Low torque and Easy operation
- Each and Every Valves are Tested at the Factory.
- 316 Stainless steel body materials

## SBV 120D Series

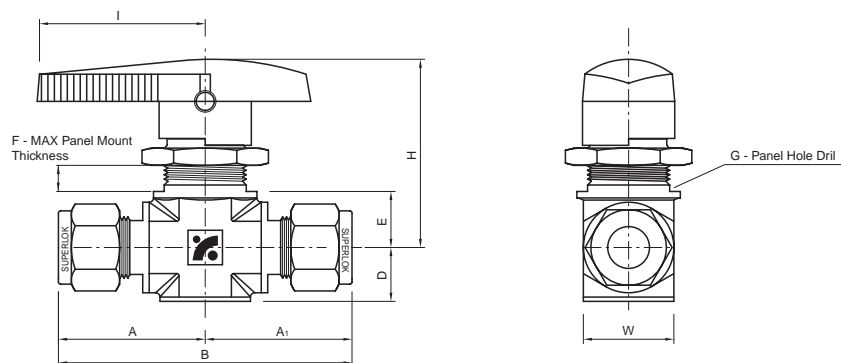


Table of Dimensions

Order Number		Orifice (mm)	Cv	End Connection		Dimensions (mm)									
Series	Part No.			Inlet	Outlet	A	A <sub>1</sub>	B	D	E	F	G	H	I	W
SBV 120 D1	F 2N	3.2	0.5	1/8 Female NPT		21.0	21.0	42.0	10.6	10.6	6.0	15.0	36.3	28.9	17.4
	S 6M		6mm SUPERLOK		29.6	29.6	59.2								
	S 4		1/4 SUPERLOK												
SBV 120 D2	F 2N	4.8	1.2	1/8 Female NPT		25.5	25.5	51.0	12.5	13.0	6.0	19.8	43.7	38.5	21.0
	F 4N		1/4 Female NPT		26.5	26.5	53.0								
	F 4R		1/4 ISO Female												
	M 4N		1/4 Male NPT		26.8	26.8	53.6								
	MS 4N-4		1.6	1/4 Male NPT	1/4 SUPERLOK	26.8	32.4	59.2							
	S 6M		6mm SUPERLOK		32.4	32.4	64.8								
	S 4		1/4 SUPERLOK												
	S 8M		1.5	8mm SUPERLOK		33.6	33.6	67.2							
	S 6		1.5	3/8 SUPERLOK		34.1	34.1	68.2							
SBV 120 D3	F 4N	7.1	3.0	1/4 Female NPT		32.0	32.0	64.0	17.0	17.0	9.4	28.0	56.1	51.0	29.0
	F 6N		3/8 Female NPT												
	F 6R		3/8 ISO Female												
	S 6		3/8 SUPERLOK		39.0	39.0	78.0								
	S 10M		10mm SUPERLOK												
SBV 120 D4	F 8N	10.3	6.3	1/2 Female NPT		40.0	40.0	80.0	22.5	22.5	9.4	38.0	71.8	75.0	38.0
	F 8R		1/2 ISO Female												
	S 12M		12mm SUPERLOK		50.0	50.0	100								
	S 8		1/2 SUPERLOK												
	S 12		3/4 SUPERLOK												

Dimensions shown with SUPERLOK nuts measure in the finger-tight, where applicable.  
All dimensions are for reference only, subject to change.



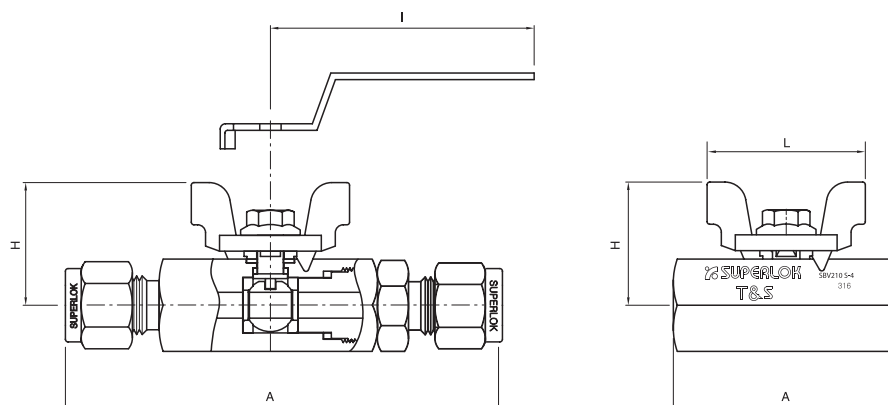


## ***210 Series Two Piece Type***

### **Features**

- Pressure range up to 1000psi(68.9Bar)
- Temperature range up to 190°F (88°C)
- With Reinforced Teflon
- Tight and Smooth, Low torque and Easy operation
- Each and Every Valves are Tested at the Factory.
- 316 Stainless steel body materials

## SBV 210 Series



**Table of Dimensions**

Order Number		Orifice (mm)	Cv	End Connection	Dimensions (mm)				
Series	Part No.				A	H	I	L	
SBV 210	S	6M	5.0	2.8	6mm SUPERLOK	79.8	23.0	60.0	30.0
	S	4		2.8	1/4 SUPERLOK	79.8			
	F	4N		1.4	1/4 Female NPT	42.8			
	S	10M	7.5	6.8	10mm SUPERLOK	91.5	31.0	90.0	48.0
	S	6		6.8	3/8 SUPERLOK	91.5			
	F	6N		3.7	3/8 Female NPT	46.6			
	S	12M	9.0	10.0	12mm SUPERLOK	101.4	34.0	90.0	50.0
	S	8		10.0	1/2 SUPERLOK	101.4			
	F	8N		7.2	1/2 Female NPT	55.0			
	S	16M	12.5	9.5	16mm SUPERLOK	107.6	39.0	100.0	55.0
	S	10		9.5	5/8 SUPERLOK	107.0			
	S	12		9.5	3/4 SUPERLOK	107.0			
	F	12N		10.2	3/4 Female NPT	61.3			
	S	16	16.0	25.0	1 SUPERLOK	131.0	45.0	100.0	68.0
	F	16N		27.5	1 Female NPT	76.0			



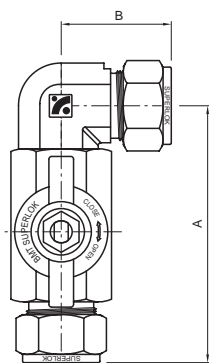
## ***210 Series Two Piece Type***

### **Features**

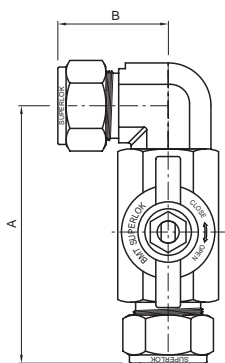
- Pressure range up to 1000psi(68.9Bar)
- Temperature range up to 190°F (88°C)
- With Reinforced Teflon
- Tight and Smooth, Low torque and Easy operation
- Each and Every Valves are Tested at the Factory.
- 316 Stainless steel body materials



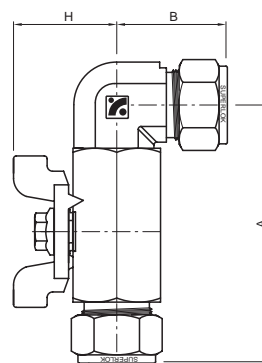
## SBVA 210 Series



SBVA 210R



SBVA 210L

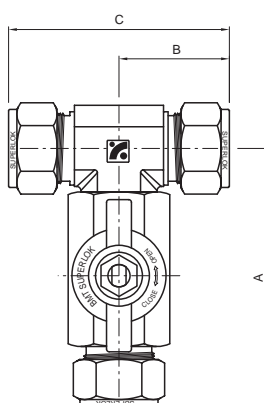


SBVA 210D

### Table of Dimensions

Order Number		Orifice (mm)	End Connection	Dimensions (mm)			
Series	Part No.			A	B	H	
SBVA 210	S	4	5.0	1/4 SUPERLOK	65.3	30.5	23.0
	S	6	7.5	3/8 SUPERLOK	77.5	36.1	31.0
	S	8	9.0	1/2 SUPERLOK	87.9	38.1	34.0
	S	12	12.5	3/4 SUPERLOK	93.8	39.9	39.0
	S	16	16.0	1 SUPERLOK	115.3	49.0	45.0

## SBVT 210 Series



### Table of Dimensions

Order Number		Orifice (mm)	End Connection	Dimensions (mm)			
Series	Part No.			A	B	C	
SBVT 210	S	4	5.0	1/4 SUPERLOK	65.3	30.5	61.0
	S	6	7.5	3/8 SUPERLOK	77.5	36.1	72.2
	S	8	9.0	1/2 SUPERLOK	87.9	38.1	76.2
	S	12	12.5	3/4 SUPERLOK	93.8	39.9	79.8
	S	16	16.0	1 SUPERLOK	115.3	49.0	98.0

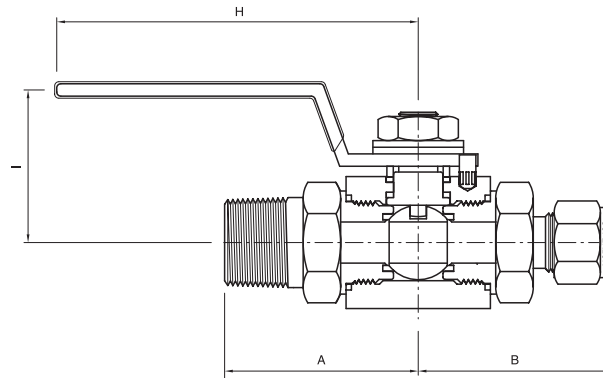


## ***360 Series Three Piece High-Pressure Type***

### **Features**

- Pressure range up to 6000psi(414Bar)
- Temperature from -22°F to 265°F(-30°C to 130°C)
- Each and Every Valves are Tested at the Factory.
- 316 Stainless steel body materials

## SBVH 360 Series



**Table of Dimensions**

Order Number			Orifice (mm)	CV	End Connection	Dimensions (mm)				
Series	Part No.					A	B	I	H	
SBVH3601	S	4	10.0	1.2	1/4 SUPERLOK	45.7	45.7	91.4	105	
	S	6		3.7	3/8 SUPERLOK	47.2	47.2	94.4		
	S	8		7.5	1/2 SUPERLOK	49.8	49.8	99.6		
	F	4N			1/4 Female NPT	37.0	37.0	74.0		
	F	6N			3/8 Female NPT	38.0	38.0	76.0		
	F	8N		1/2 Female NPT	41.5	41.5	83.0			
	M	4N		3.7	1/4 Male NPT	42.1	42.1	84.2		
	M	6N		7.2	3/8 Male NPT	42.1	42.1	84.2		
	M	8N		7.5	1/2 Male NPT	47.0	47.0	94.0		
SBVH3602	F	8N	12.7	10.0	1/2 Female NPT	45.5	45.5	91.0	125	
	F	12N			3/4 Female NPT	51.0	51.0	102.0		
	M	12N			3/4 Male NPT	52.5	52.5	105.0		
	S	10			5/8 SUPERLOK	54.0	54.0	108.0		
	S	12			3/4 SUPERLOK	54.0	54.0	108.0		
SBVH3603	F	12N	19.0	30.0	3/4 Female NPT	54.0	54.0	108.0	149	
	F	16N			1 Female NPT	62.5	62.5	125.0		
	S	12		19.0	3/4 SUPERLOK	61.9	61.9	123.8		
	S	16		30.0	1 SUPERLOK	66.4	66.4	132.8		
	M	12N		19.0	3/4 Male NPT	59.0	59.0	118.0		
	M	16N		30.0	1 Male NPT	63.8	63.8	127.6		

Dimensions shown with SUPERLOK nuts measure in the finger - tight, where applicable.  
All dimensions are for reference only, subject to change.



## Valve & Fitting Series

- Tube Fittings
- Thread Fittings
- Bite Type Tube Fittings (DIN2353)
- Ball Valve
- Needle Valve
- Check Valve
- Plug Valve
- Manifolds Valve
- Vacuum Clamp
- Regulators
- Flexible Hose

## Electronics

- MCPD(Molded Case Power Distributor)

## BMT Co., Ltd.

1617-7, Songjeong-Dong  
Gangseo-Gu Busan Korea  
Tel. 82-51-831-0167  
Fax. 82-51-831-0169  
[www.superlok.com](http://www.superlok.com)  
[superlok@superlok.com](mailto:superlok@superlok.com)

부산광역시 강서구 송정동 1617-7  
전화: 051-831-0167  
팩스: 051-831-0169  
[www.superlok.com](http://www.superlok.com)  
[superlok@superlok.com](mailto:superlok@superlok.com)

